

### Step 1:

This procedure will assist you with installing a Wall Mounted Waters Collection Adagio Water Feature.

### Step 2:

To complete this procedure, you will need a Drill, Phillips Head Bit, Pencil, Phillips Head Screwdriver, Carpenter's Level, Tape Measure, Scissors, Stud Finder, Step Ladder, and the included Mirror Prep, Scotch Brite Pad, and Zip Ties. Optionally, you may want to purchase Distilled Water.

Note: The Mirror Prep is only used on mirrored surfaces or glass panels.

## Choosing a Location

Most likely you have already decided on a location for your new Adagio Water Feature. In the event that you are still undecided, we would like to suggest a few things to help you make your decision.

### Wall Types

Your water feature can be hung on a number of different wall types. We are going to discuss the steps for hanging it on a wood studded sheet rock wall. You can hang it on tile, stone, concrete, block, or a sheet rock wall with metal studs. (Please note: The hardware included is designed for a wood-studded sheet rock wall. You may need additional hardware for other wall types.)

### Framing

As a general design idea it is often best to allow enough wall space to properly frame the water feature. Depending on the surrounding décor, you may want to allow for open wall space on all four sides. (You will need at least 6 inches of space at the top and bottom of the feature.)

## Choosing a Location

### Access

The most demanding maintenance requirement associated with the water feature is keeping it full of water. To facilitate maintaining the proper water level we suggest placing the fountain in a location that is easily accessible.

### Traffic

The hood and tray of the water feature will project 5 or 6 inches out from the wall. Because of this, if it is placed in a narrow walkway it can act as a barrier to traffic. We suggest placing it in an area that will not interfere with the traffic flow of the space.

### Power

The water feature requires 110 Volt 60 Hz power and will operate at less than 10 amps. When deciding on the location of your water feature you need to consider a power source. For aesthetic reasons we suggest placing an outlet directly behind the water surface in the middle of the EZ Install Bracket. This allows the cord to be hidden. If you are going to have an electrician install an outlet, we suggest having it wired to a wall switch for ease of turning it on and off.

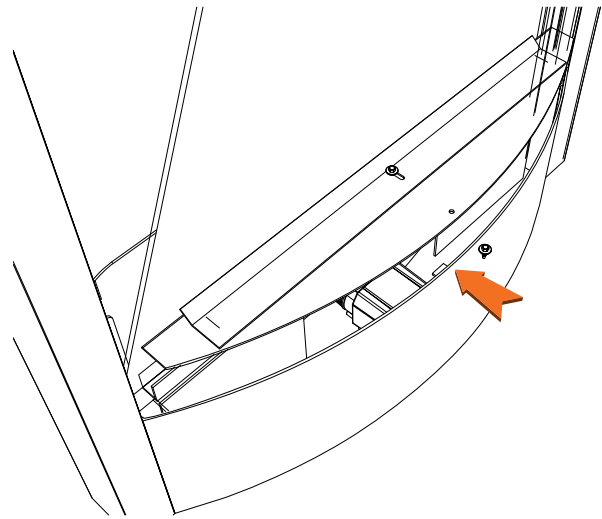
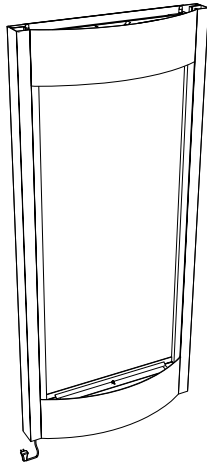
### Step 3:

Please read the information above and in the next step to ensure the correct location is chosen for your new Water Feature.

Note: This procedure will demonstrate how to install on a wood studded sheetrock wall. If your wall type is different, then you may need additional hardware.

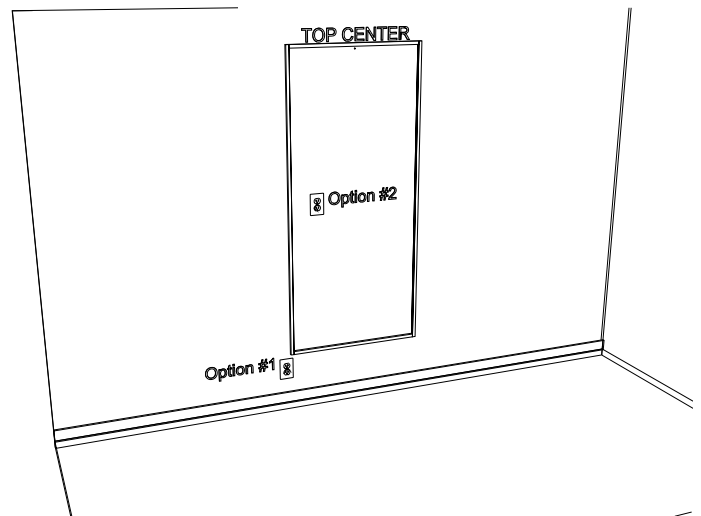
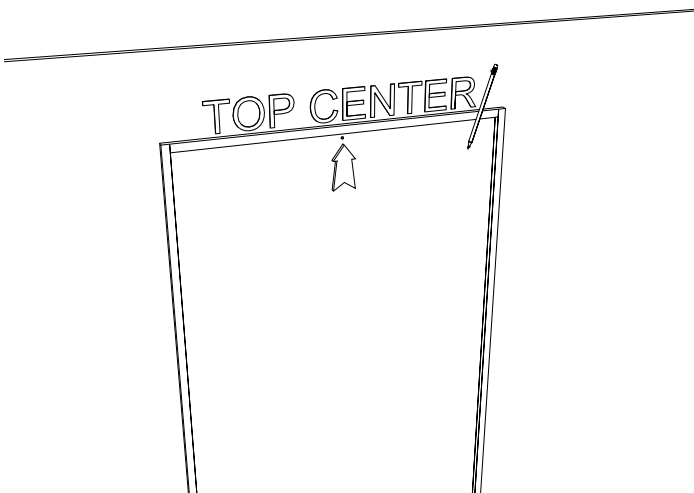
### Step 4:

Read the additional suggestions before beginning installation.



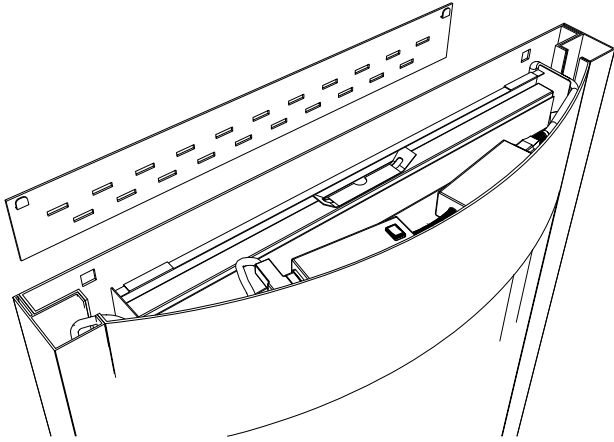
**Step 5:**  
Before beginning the installation, unpack and unwrap everything. Some of the parts are packed underneath the Pebble Shelf.

**Step 6:**  
If your model has a screw, loosen the Screw from the Pebble Shelf and open it to remove the parts underneath. Clean out and discard any packing material and debris. If any items were damaged in transit, please contact Adagio immediately.

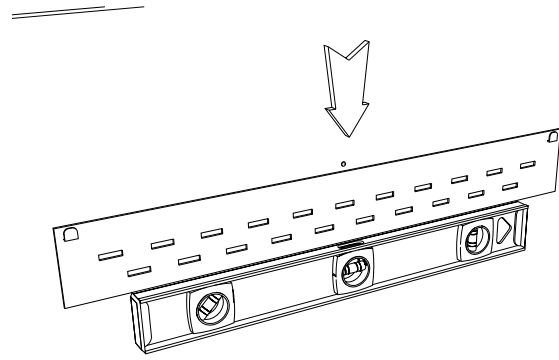


**Step 7:**  
Before you begin hanging the Wall Brackets, you need to have a clear idea of where on the wall the Water Feature is going to hang. Be aware of the dimensions of the Water Feature you purchased. Measure and use a Pencil to mark the top center of the area.

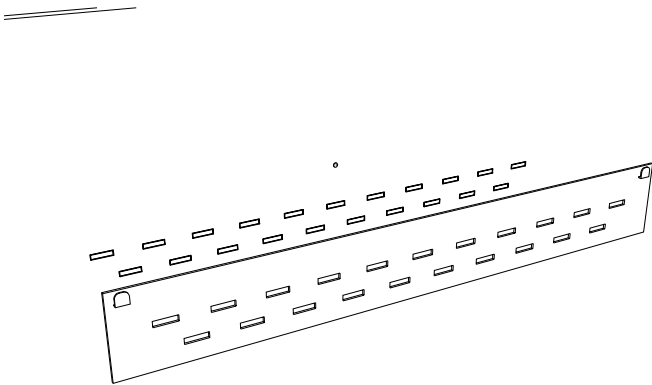
**Step 8:**  
There are two options where the Electrical Outlet can be located, either below the Tray or behind the Water Feature. If you decide to wire an outlet behind the Water Feature to allow for a concealed Power Cord, this is the area you want the outlet to be. We also recommend wiring the outlet to a wall switch for ease of turning the Water Feature on and off.



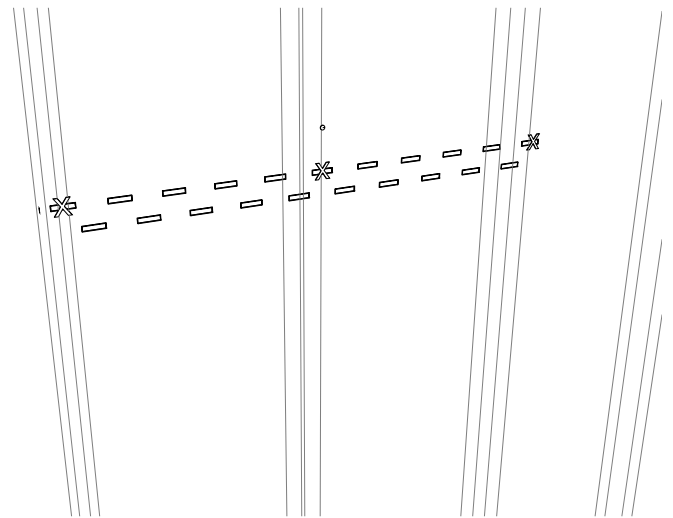
**Step 9:**  
On the back of the Water Feature, remove the Wall Mounting Bracket that is attached to the top.



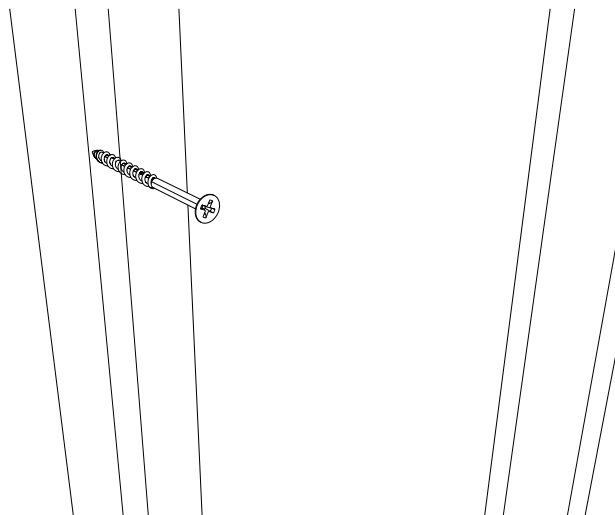
**Step 10:**  
Using the “Top Center” mark, position the Wall Bracket. Ensure the Wall Bracket is level.



**Step 11:**  
Using a Pencil, mark the slots on the wall. Take extra care to ensure the Wall Bracket is level.



**Step 12:**  
Remove the Wall Bracket and set it out of the way. Inside the perimeter of the Water Feature, use a Stud Finder to mark where any studs are. These marks will be covered by the Water Feature when everything is completed.

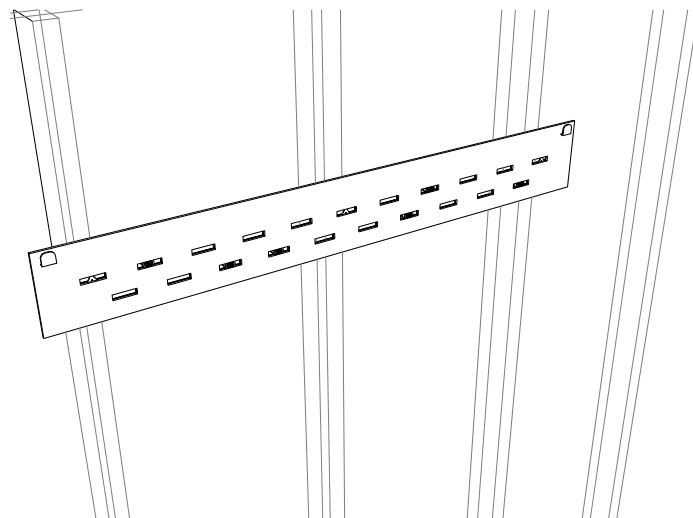
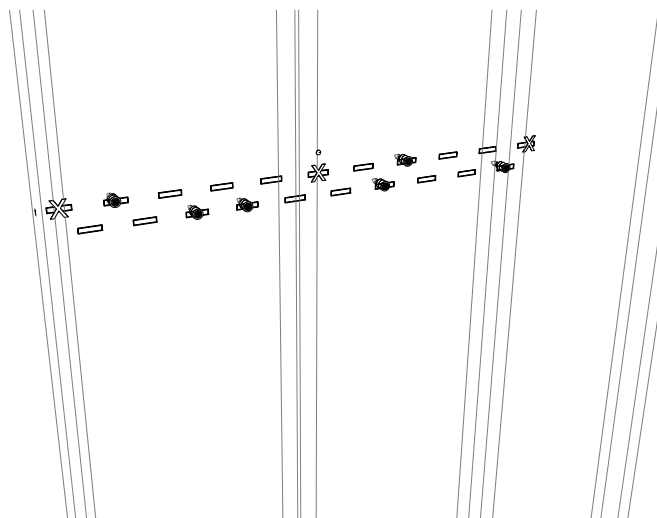


**Step 13:**

The following steps will show you how to install the EZ Anchors with 1-inch Grabber Screws. Use the included EZ Anchors and 1-inch Grabber Screws to fasten the Wall Bracket into the sheetrock.

**Step 14:**

In the area of a stud, no EZ Anchors are necessary. Use the longer 2.5-inch Grabber Screws directly into the stud. Fastening into at least one stud is recommended. If you can fasten to more than one stud or screw more than one Screw into a single stud, it is even better.

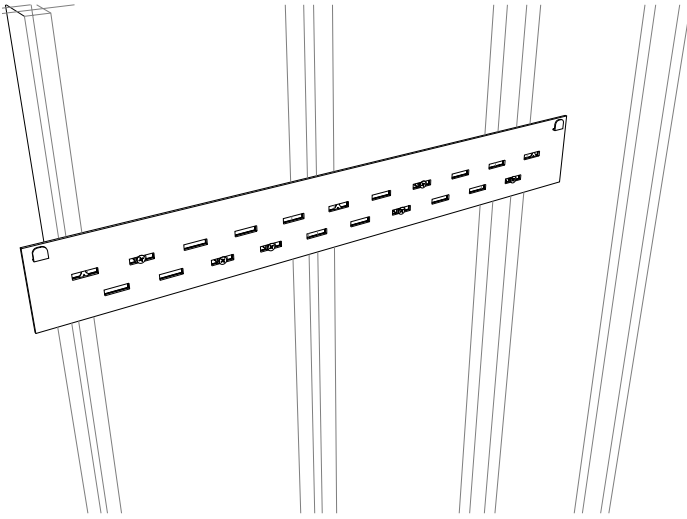


**Step 15:**

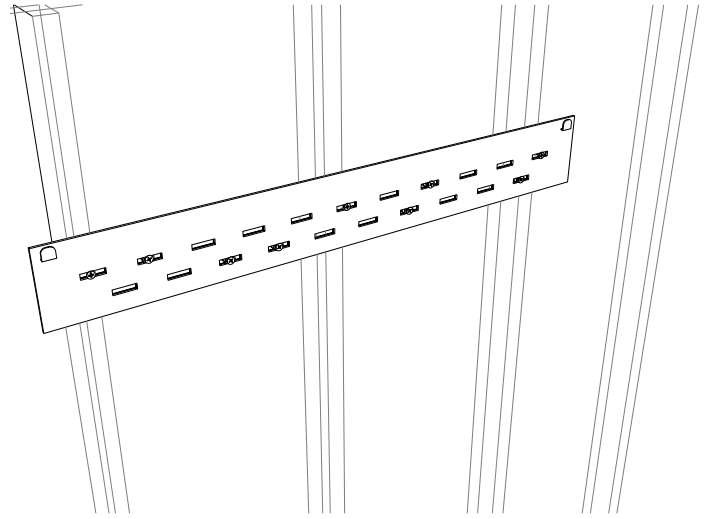
After determining where the studs intersect the slots, install the EZ anchors as evenly as possible to disperse the weight over a large area.

**Step 16:**

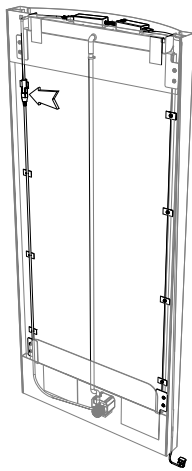
Position the Wall Bracket against the wall, ensuring that it is level.



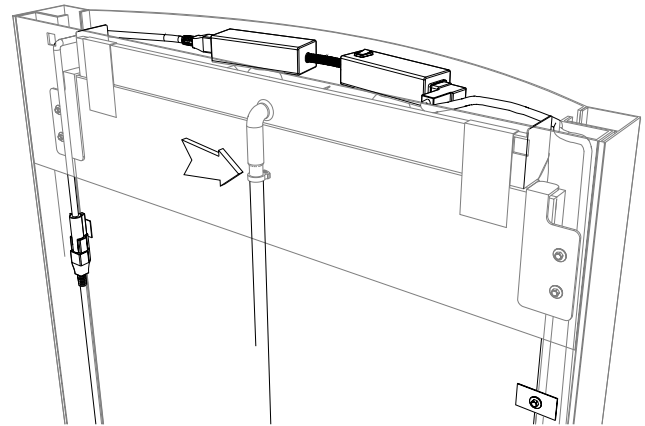
Step 17:  
Insert 1-inch Grabber Screws wherever there is a Wall Anchor.



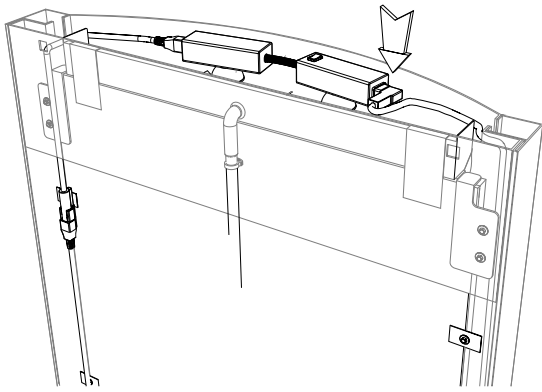
Step 18:  
Screw 2.5-inch Grabber Screws into any studs.



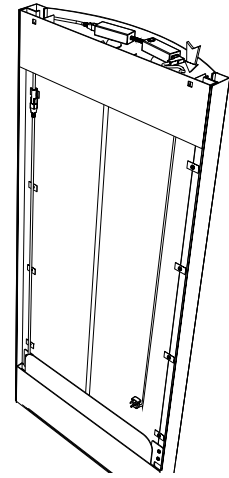
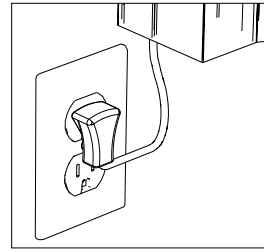
Step 19:  
The Pump is already plugged into the Light Bar at the top of the Water Feature.



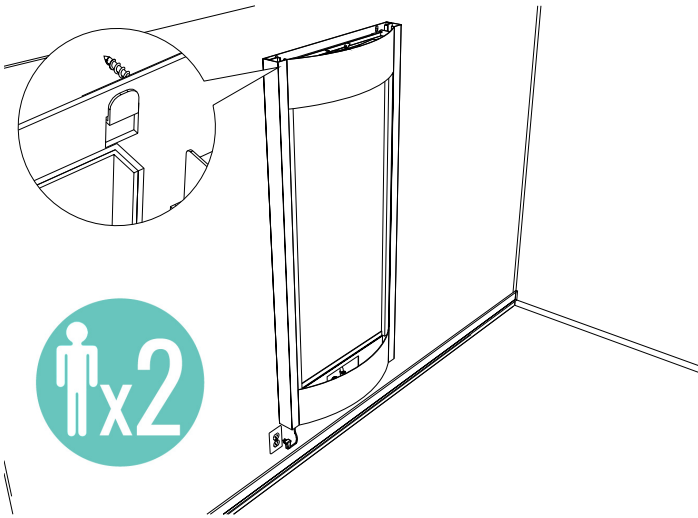
Step 20:  
The Water Hose should already be attached to the Water Distribution Unit at the top of the Water Panel and the Pump. Make sure the Hose has not come undone or kinked during shipping.



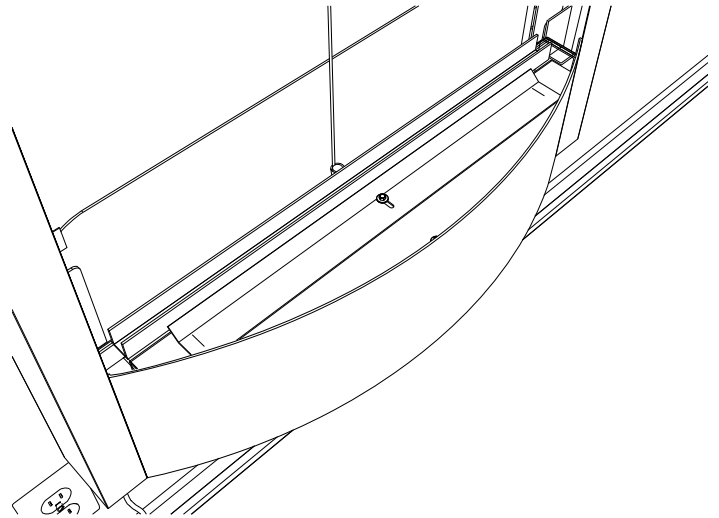
**Step 21:**  
Plug the Power Cord into the Light Bar at the top.



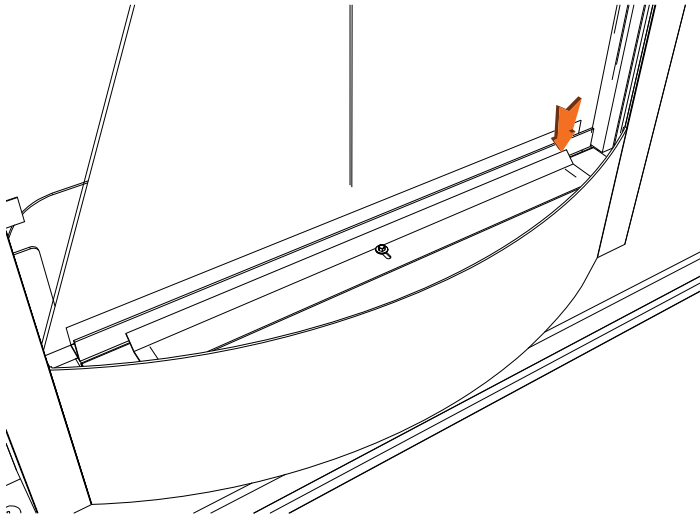
**Step 22:**  
If you have an outlet that is not behind the product, drop the Power Cord down through the hollow frame piece. If you have an outlet behind the product, drop the Power Cord down behind the water surface (under the hood back that attaches to the wall) and plug it into the outlet.



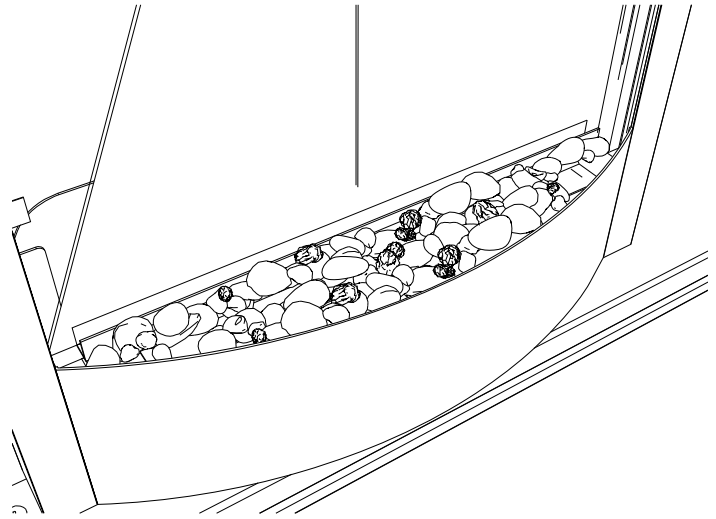
**Step 23:**  
With the help of another adult, hang the Water Feature on the mounted Wall Bracket. Use the clips on the Wall Bracket and the square holes on the Water Feature. Gently push down until the Water Feature fits snugly on the clips and is hanging level.



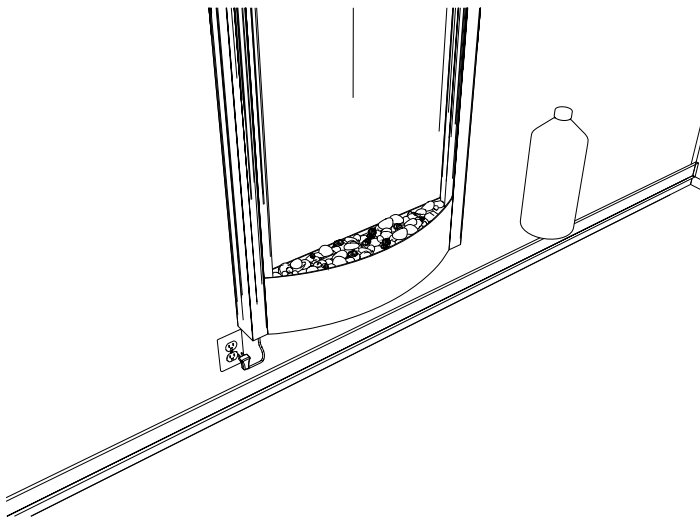
**Step 24:**  
Before reinstalling the Pebble Shelf, make note of the proper fill level. Then reinstall the Pebble Shelf, if your model came with a Screw, secure it with the Screw. The products warning label is only visible with the Pebble Shelf removed.



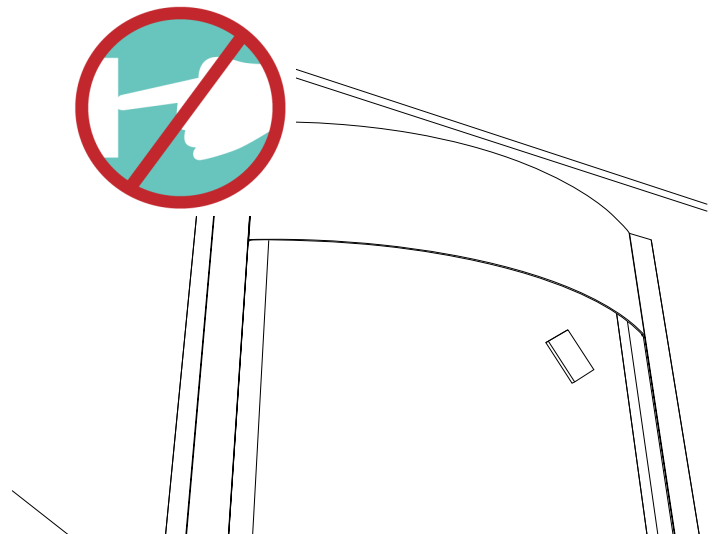
**Step 25:**  
 Ensure there is a 1/8in gap between the Stone and the Pebble Shelf back lip. Adjust the back lip of the Shelf by loosening the Screw. This gap will make sure the water will flow without splashing.



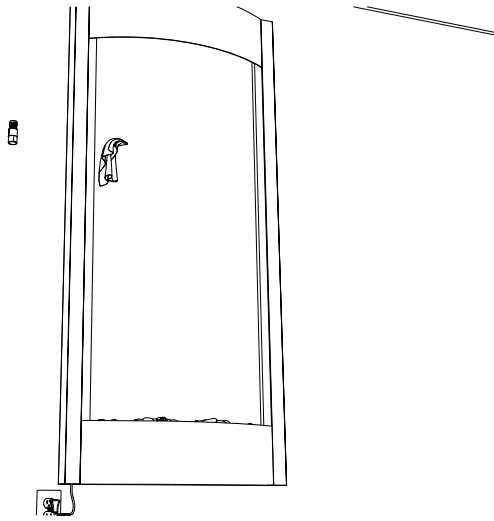
**Step 26:**  
 Carefully set the Pebbles on the Pebble Shelf. Please be sure that none of the Pebbles rest against the water surface, as it may cause splashing.



**Step 27:**  
 You can now fill the Water Tray. When filling or refilling your Water Feature, we always recommend slowly pouring the water directly on the water surface. Make sure to keep the water filled above the Pump and no higher than the water fill line on the warning label. Do not fill the Feature while it is running as this can lead to overfilling the Liner. Overfilling the Liner forces water between the Liner and the Shelf and can cause the Tray to appear as if it is leaking.  
 Note: We recommend always using Distilled Water. Distilled Water will help prolong the life of your Water Feature and make it much easier to maintain.

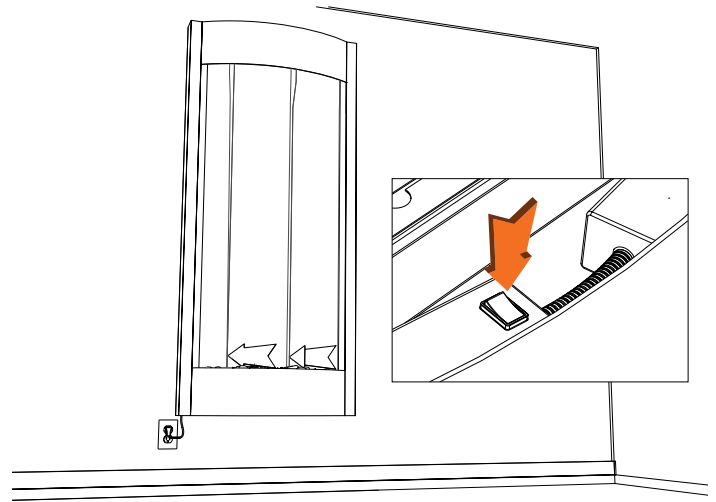


**Step 28:**  
 Clean the front surface of the Water Distribution Unit with the provided Scotch Brite Pad. Rub the Pad back and forth on the entire surface until it is noticeably cleaner and shinier. Be sure to clean over the top edge and the bottom lip thoroughly. This removes any dust or debris that might have accumulated since production.  
 Note: Do not apply the Scotch Brite Pad to the mirror or custom engraved logos for they can get scratched. Do not touch the copper to even the water flow over the Unit, as this can leave natural oils that block the water from flowing over the Distribution Unit.



**Step 29:**

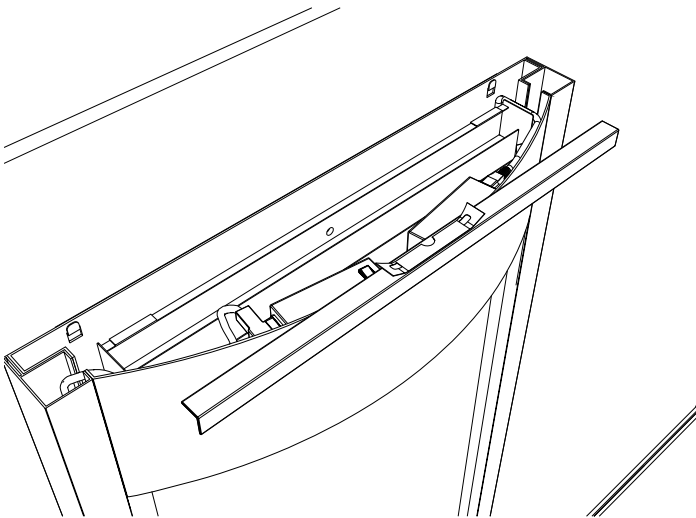
If you have a Mirror Water Feature, Adagio sends a product called Mirror Prep. This is designed to help the water flow evenly over the surface. Apply with a wet cloth and wipe it on the entire Mirror Surface. Make sure to apply the prep to the outer edges of the surface. Let it dry for 2-3 minutes and then remove it with a clean wet cloth.



**Step 30:**

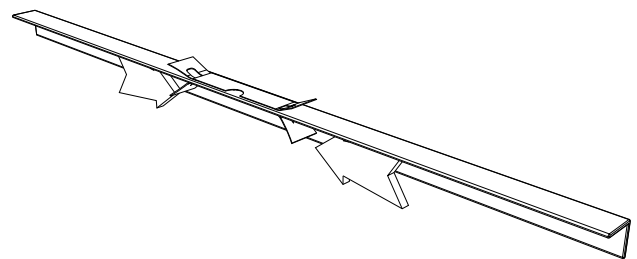
This step is for testing purposes only. The water distribution unit and baffle should be set to allow proper water flow but may need minor adjusting. Turn your water feature on. It usually takes 5-10 minutes to get the entire surface completely wet. After this time you should be able to tell if there are any dry spots.

Note: The Baffle should already be firmly in place and ready to use. But if it has come loose or needs to be removed and replaced for adjusting or cleaning, we will discuss how it works.



**Step 31:**

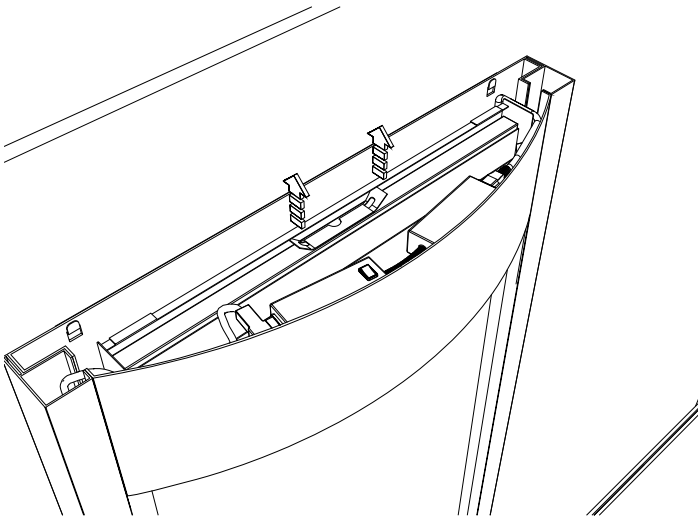
Turn the Water Feature off and remove the white Baffle from the Water Distribution Unit by flattening the upper set of copper tabs on the Baffle. This will allow it to roll up and out of the Distribution Unit.



**Step 32:**

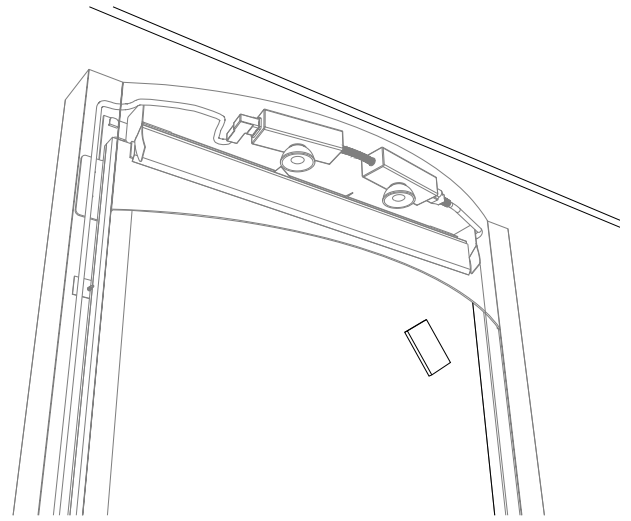
On the underside of the Baffle, you will notice an additional set of copper tabs. These tabs act as small dams for the water. The water enters the Distribution Unit directly in the middle of these two tabs. Adjust the bottom copper tabs. The tabs can be adjusted in or out to direct the water flow to each side or in the middle. These two tabs are only used for water flow adjustments.





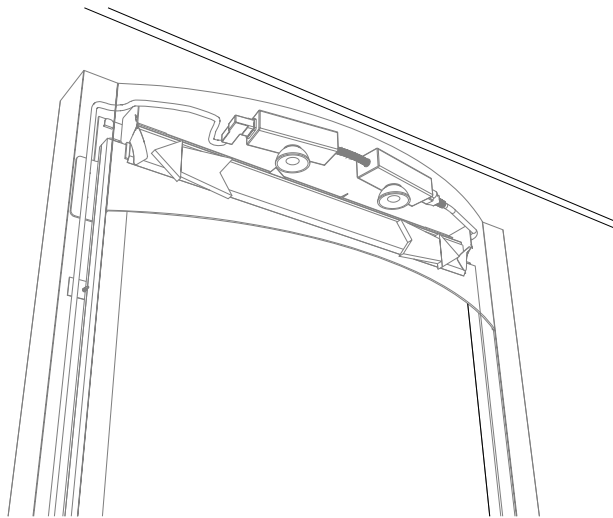
#### Step 33:

Reinstall the Baffle into the Water Distribution Unit and bend the upper copper tabs back into place. These tabs strictly hold the Baffle in place. You do not need to force the tabs up. Bend them up until the Baffle will not come out of the Water Distribution Unit, but still has a little room to move.



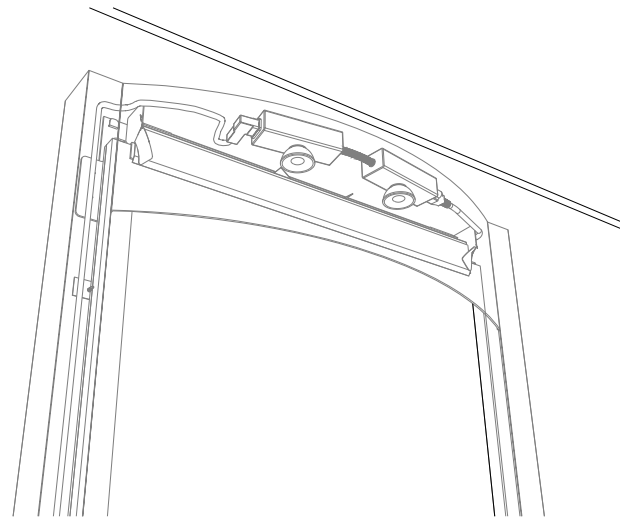
#### Step 34:

Before turning the water back on, clean the copper Distribution Unit with the Scotch Brite Pad again. This will remove any natural oils that may have been transferred from your fingers. You may have to repeat this process until you have the desired water flow. Note: Do not apply the Scotch Brite Pad to the mirror or custom engraved logos, they can get scratched.



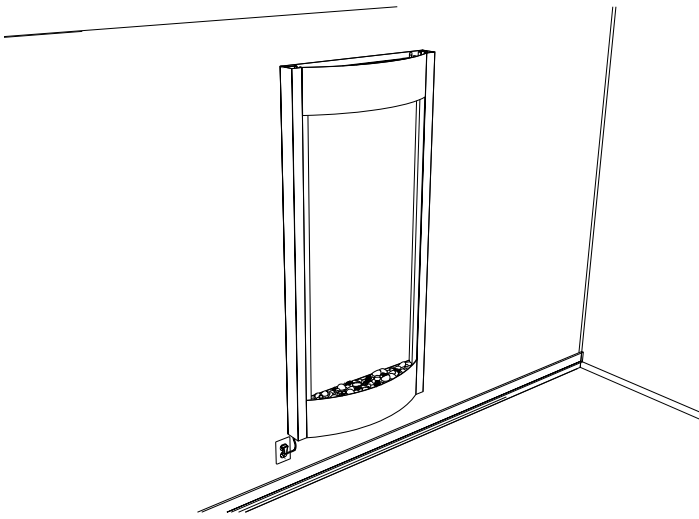
#### Step 35:

The outer edge adjustment tabs are on either end of the Water Distribution Unit. These tabs control the water flow at the edges of the surface. If there is a large amount of water flow at one or both edges of your Water Feature, you may experience a small amount of dripping off these tabs. If this occurs, simply bend the tabs in and back to redirect the water on to the surface. The tabs should be touching the front of the copper unit; the copper is made of a pliable copper so the tabs will not break or crack when bent.



#### Step 36:

Insure the supplied LED bulbs are installed in the Light Bar. **WARNING:** As always, never remove or insert the Power Cords or Light Bulbs while the Water Feature is turned on. Doing so could result in electric shock.



Step 37:  
Congratulations, this completes the installation of a  
Wall Mounted Waters Collection Adagio Water Fea-  
ture.